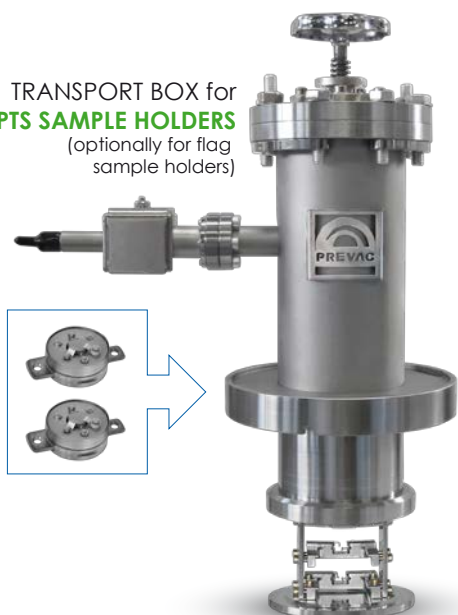


TRANSPORT BOX

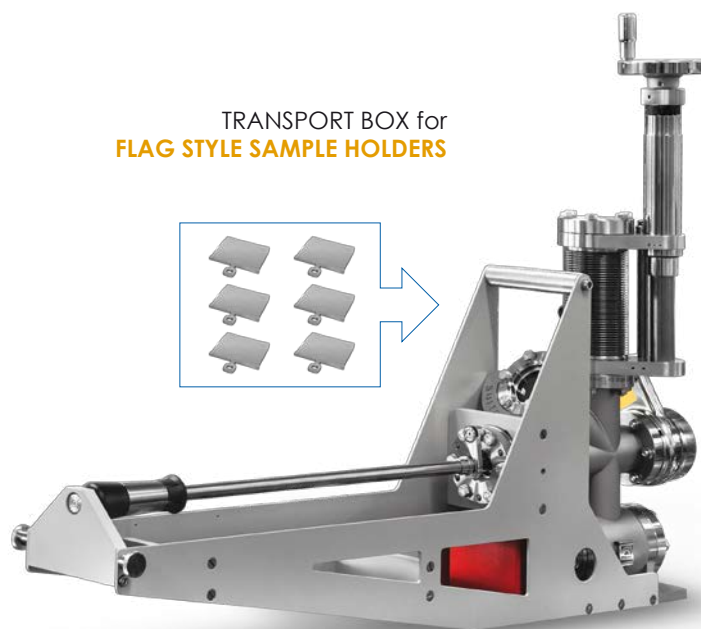
Vacuum suitcase



TRANSPORT BOX for
PTS SAMPLE HOLDERS
(optionally for flag
sample holders)



TRANSPORT BOX for
FLAG STYLE SAMPLE HOLDERS



DESCRIPTION

Transport boxes are designed for transporting samples between different UHV systems under ultra high vacuum conditions. Sample holders/samples can be stored and transported inside the transport box while maintaining UHV conditions. Vacuum is ensured by an ion pump and it's monitored by appropriate pressure gauge. The pump is designed so that it can be powered from e.g. a car battery or other power source.

PUMPING OPTIONS

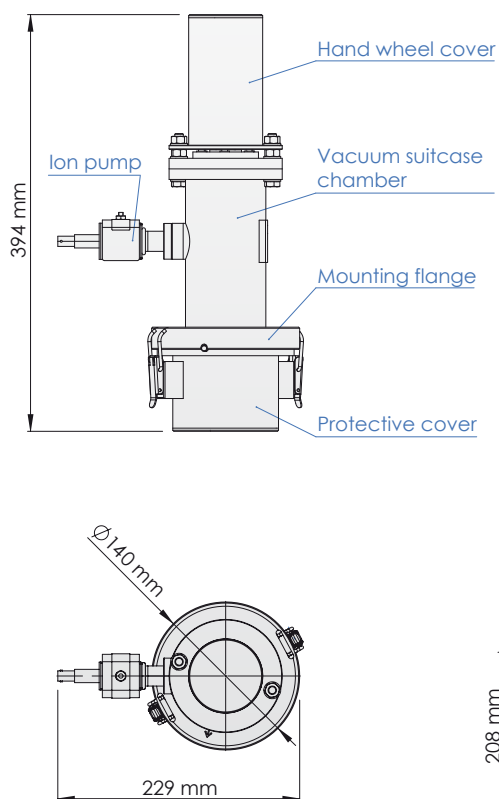
- NEG Getter pump - pumping speed: 200 l/s (DN 40CF)
- ION pump - pumping speed: 3 l/s (DN 16CF)

TECHNICAL DATA

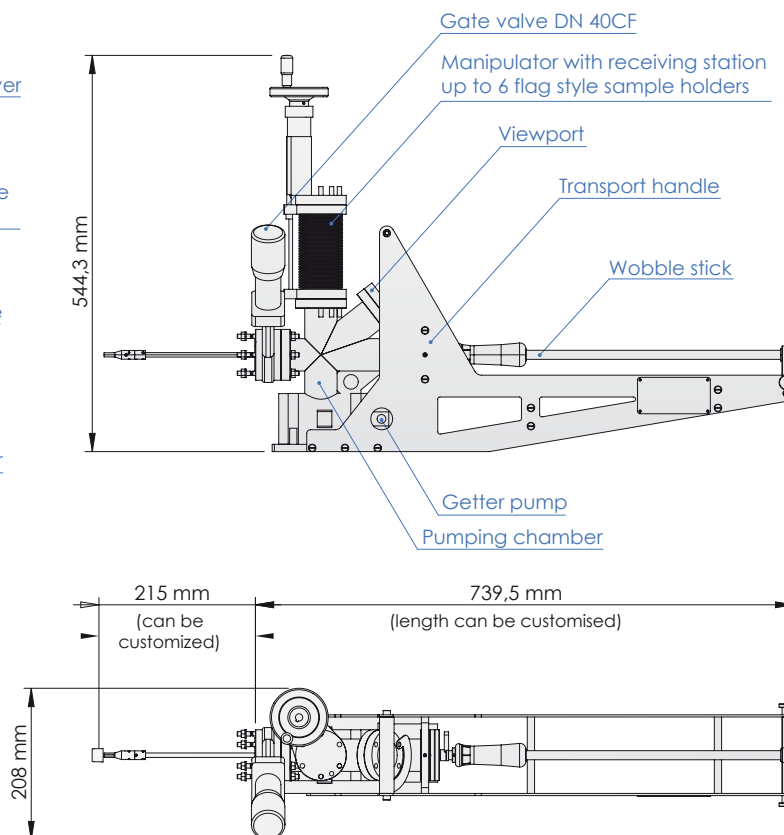
	for PTS sample holders	for flag style sample holders
Weight	~7 kg (8 kg with power supply)	~13.5 kg (14.5 kg with power supply), depend on transferring length
Pressure range	down to 1×10^{-9} mbar	down to 1×10^{-10} mbar
Mounting flange (transferring port)	PTS dedicated load lock connection port	DN 40CF
Max. transfer length	-	130 - 215 mm (other on request)
Storage	up to 2 sample holders	up to 6 sample holders



TRANSPORT BOX for PTS SAMPLE HOLDERS



TRANSPORT BOX for FLAG STYLE SAMPLE HOLDERS



CUSTOMIZED SOLUTIONS

VARIOUS TYPES OF SAMPLE HOLDERS

Bespoke transport box designs to accommodate various types and styles of sample holder.



TROLLEY FOR TRANSPORT BOX AND ANCILLARY ELECTRONICS

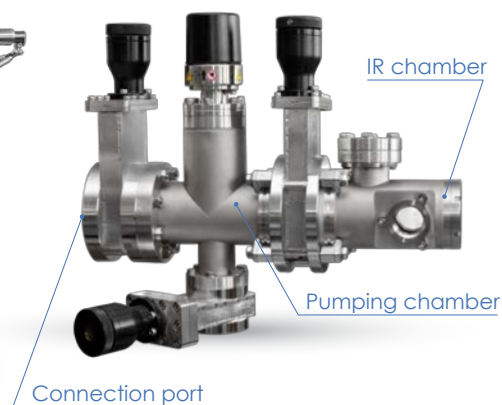
This solution allows for stable transport of the suitcase and easy, one-person connection to the systems.



PORTABLE INFRARED CHAMBER

Compact size, simple design transport box dedicated for FTIR spectroscopy investigations. Easy connection to IR spectrometer thanks to its portability.

Patent no. PL220339



PREVAC sp. z o.o. sales@prevac.eu
Raciborska Str. 61 [+48 32 459 21 30](tel:+48324592130)
PL44362 Rogów [+48 32 459 20 01](tel:+48324592001)