

# Feedthroughs

ISO-KF, ISO-K, CF



# Contents

## Feedthroughs

### Products

<b>Feedthroughs.....</b>	<b>4</b>
Current Feedthroughs.....	4
High Current Feedthroughs .....	8
Rotary Feedthroughs .....	10
Liquid Feedthroughs.....	11
Rotary / Linear Motion Feedthroughs.....	12
CF Feedthroughs.....	14
Linear Motion Mechanical Feedthroughs.....	14
Current Feedthroughs.....	16
Accessories for Feedthroughs .....	18
Connectors, vacuum side.....	18
Connectors, atmospheric side.....	19

# Products

## Feedthroughs

### Current Feedthroughs

#### General

Current feedthroughs for vacuum applications, as well as their corresponding connectors, comply with the German VDE Regulations 0100, 0660 and 0110 Section 1. The latter refers to air gaps and leakage paths.

- All current feedthroughs are tested according to VDE Regulations

#### Important

The special regional safety regulations must be observed! These may differ from the regulations which apply in Germany! The voltages stated on the following pages apply to atmospheric pressure and the right connector from Leybold. The voltage specifications apply also to that part of the feedthrough which is exposed to the vacuum, provided the pressure in these areas is less than  $10^{-1}$  mbar ( $0.75 \times 10^{-1}$  Torr).

At pressures over  $10^{-1}$  mbar ( $0.75 \times 10^{-1}$  Torr) voltage breakdowns may occur depending on the distance between the electrodes, the type of rarefied gas, the type of contamination, the distribution of the electric field, etc.

Operators are advised to check each application individually or to get in touch with Leybold for advice.

In applications where VDE regulations need not be applied, higher operating voltages are permissible. Please contact us for further information regarding your particular application.

The test and operating voltages refer to a vacuum pressure of  $< 1 \times 10^{-4}$  mbar ( $< 0.75 \times 10^{-4}$  mbar) and when using the connectors recommended by Leybold. Electrical power may only be applied via the external plugs.

#### Abbreviations used in connection with feedthroughs:

F	Feedthrough
E	Current
L	Liquid
N	Normal
P	Precision
F	Frequency
HC	Current
HV	Voltage
L	Linear
R	Rotary

# Current Feedthroughs

## Technical Data

## FE 16 / 9S

## FE 16 / 9

Vacuum connection	DN	16 ISO-KF	
Number of feedthroughs		9	
Voltage per pole <sup>1)</sup>	V	50	
Current per pole <sup>1)</sup>	A	2	
Connection			
Vacuum side		solder connection	connector
Air side		connector	connector
Diameter of connecting wire	mm (in.)	0.8 (0.03) / 1.2 (0.05)	
Tightness	mbar x l/s	1 x 10 <sup>-9</sup>	
Pressure (absolute)		1 x 10 <sup>-8</sup> mbar to 2.5 bar (0.75 x 10 <sup>-8</sup> Torr to 1875 Torr)	
Bakeout temperature (feedthrough, connector)	°C (°F)	130 (266)	
Housing		Stainless steel	
Insulator		PEEK / Araldit	
Seal		FPM (FKM)	
Contact (feedthrough, connector)		gold-plated brass	

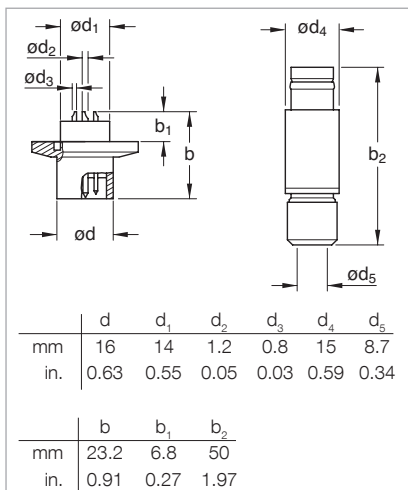
## Ordering Information

## FE 16 / 9S

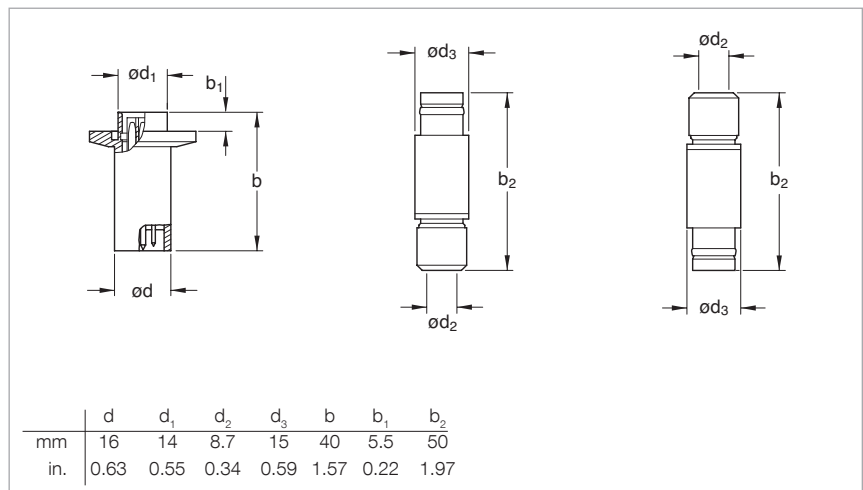
## FE 16 / 9

	Part No.	Part No.
Current feedthroughs	<b>210 302</b>	<b>210 304</b>
Connector: vacuum side	-	<b>210 305</b>
Connector: air side	<b>210 303</b>	<b>210 303</b>

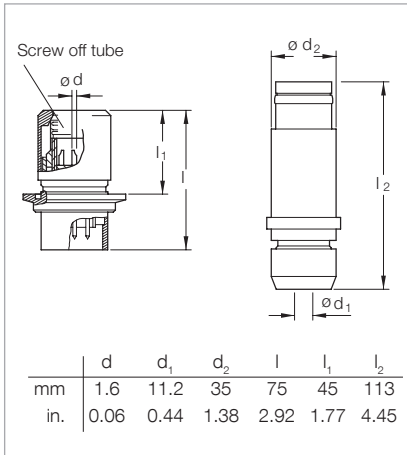
<sup>1)</sup> Local regulations concerning use must be followed



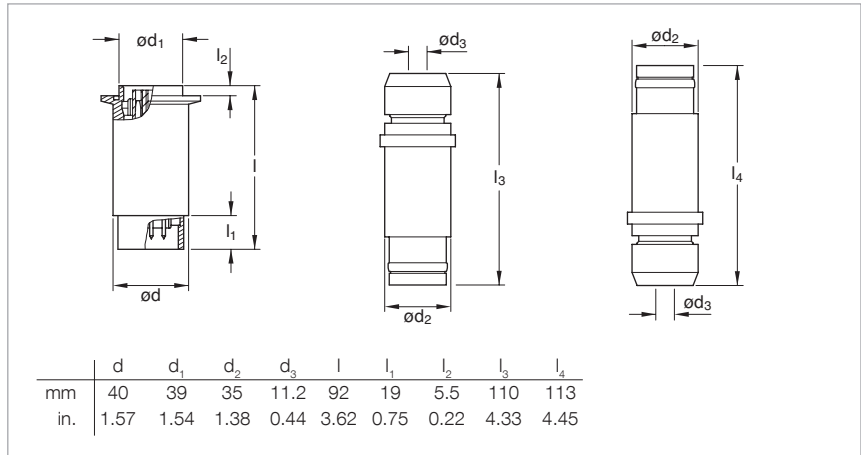
Dimensional drawing for the feedthrough FE 16/9S (left) and the connector for air side (right)



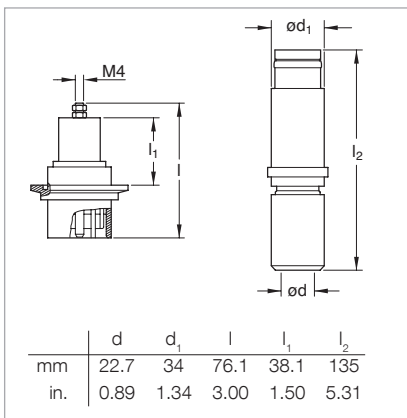
Dimensional drawing for the feedthrough FE 16/9 (left), the connector for vacuum side (middle) and the connector for air side (right)



Dimensional drawing for the feedthrough FE 40/7S (left) and the connector for air side (right)



Dimensional drawing for the feedthrough FE 40/7 (left), the connector for vacuum side (middle) and the connector for air side (right)



Dimensional drawing for the feedthrough FEHV 40/1 (left) and the connector for air side (right)



**Technical Data****FE 40 / 7S****FE 40 / 7****FEHV 40 / 1**

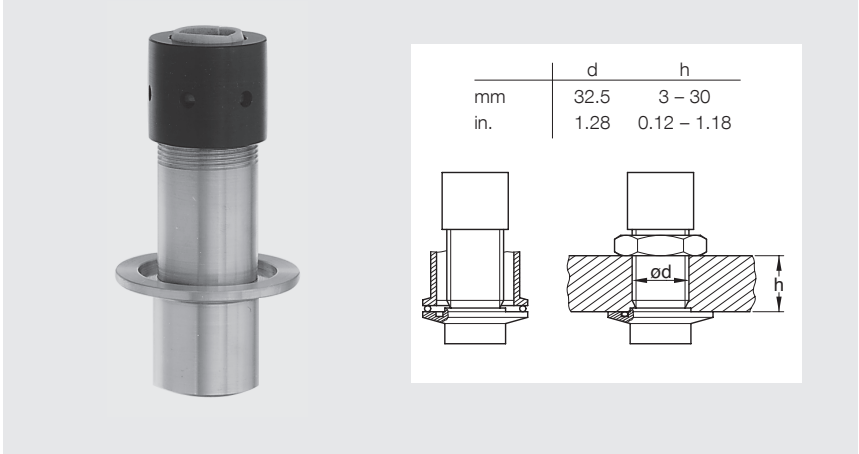
Vacuum connection	DN	40 ISO-KF		
Number of feedthroughs		7	7	1
Voltage per pole <sup>1)</sup>	V	380	380	6000
Current per pole <sup>1)</sup>	A	16	16	25
Connection				
Vacuum side		solder connection	connector	screw coupling
Air side		connector	connector	connector
Diameter of connecting wire	mm (in.)	1.8	–	–
Test voltage	kV / Hz	–	–	15 / 50
Tightness	mbar x l/s	1 x 10 <sup>-9</sup>		
Pressure (absolute)		1 x 10 <sup>-8</sup> mbar x l/s to 2.5 bar		
Bakeout temperature (feedthrough, connector)	°C (°F)	130 (266)		
Housing		chrom-plated steel		
Insulator		PTFE / Araldit	PTFE / Araldit	PTFE
Seal		FPM (FKM)		
Contact (feedthrough, connector)		gold-plated stainless steel	gold-plated stainless steel	nickel-plated brass

**Ordering Information****FE 40 / 7S****FE 40 / 7****FEHV 40 / 1**

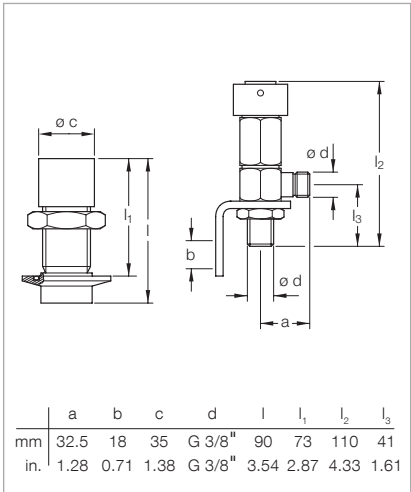
	<b>Part No.</b>	<b>Part No.</b>	<b>Part No.</b>
Current feedthroughs	<b>210 325</b>	<b>210 326</b>	<b>210 350</b>
Connector: vacuum side	–	<b>210 328</b>	–
Connector: air side	<b>210 327</b>	<b>210 327</b>	<b>210 351</b>

<sup>1)</sup> Local regulations concerning use must be followed

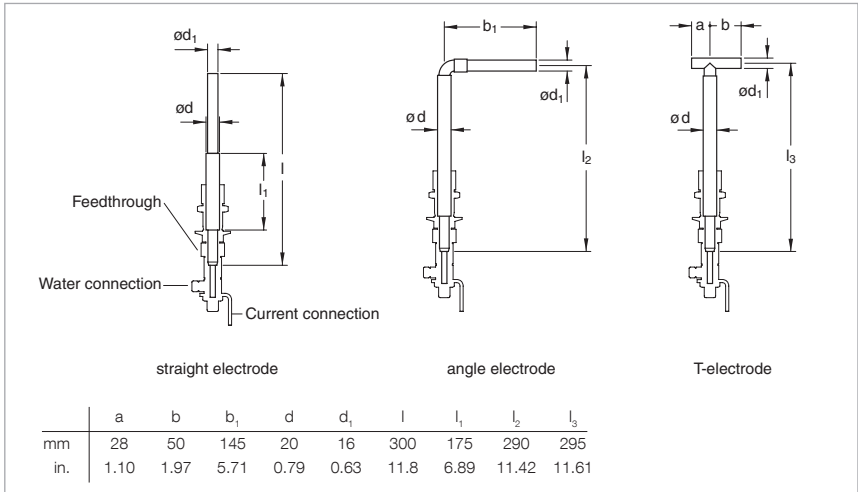
# High Current Feedthroughs



- Selection of electrodes
- Slide into mounted feedthrough
- Current connection with water cooling



Dimensional drawing for the feedthrough FEHC 40/1 (left) and current connection with water cooling (right)



Dimensional drawings for the copper electrodes for the feedthrough FEHC 40/1



**Technical Data****FEHC 40/1**

Vacuum connection	DN	40 ISO-KF
Number of feedthroughs		1
Voltage	V	50
Current	A	250
with water cooling	A	1500
Tightness	mbar x l/s	1 x 10 <sup>-9</sup>
Pressure (absolute)		1 x 10 <sup>-8</sup> mbar to 2.5 bar (max. 10 bar with external centering ring)
Bakeout temperature	°C (°F)	110 (230)
Housing		aluminum
Insulator		thermoplast and thermoset
Seal		FPM (FKM)

**Ordering Information****FEHC 40/1**

	<b>Part No.</b>
High current feedthroughs	<b>210 352</b>
Current connection with water cooling <sup>1)</sup>	<b>210 356</b>
Straight electrode	<b>210 353</b>
Angle electrode	<b>210 354</b>
T-electrode	<b>210 355</b>

<sup>1)</sup> Not insulated

# Rotary Feedthroughs

- ISO-KF / ISO-K
- For transmitting high torque
- With FPM (FKM) shaft seal and ball bearings

## Technical Data

### FR 25/50 N

### FR 63/100 N

Vacuum connection	DN	25 ISO-KF	63 ISO-K
Feedthrough / Seal		FPM (FKM)	
Shaft Connection	mm (in.)	dia. 8 (0.31)	dia. 20 (0.79)
Transferable torque	Nm	6	100
Rotational speed <sup>1)</sup>	1/min	1000	500
Shaft load			
Radial	N	150	500
Axial	N	50	100
Service life (revolutions)		20 000 000	10 000 000
Tightness, static	mbar x l/s	1 x 10 <sup>-9</sup>	
Pressure (absolute)		1 x 10 <sup>-9</sup> mbar to 1 bar	
Operating temperature, max.	°C (°F)	50 (122)	
Bakeout temperature	°C (°F)	110 (230)	
Materials exposed to process media		Stainless steel, aluminum, FPM (FKM)	
Weight	kg (lbs)	0.2 (0.44)	2 (4.42)

## Ordering Information

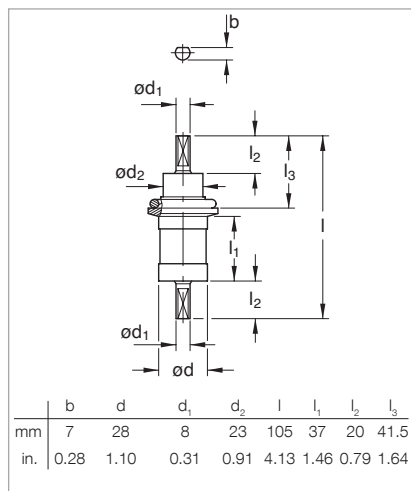
### FR 25/50 N

### FR 63/100 N

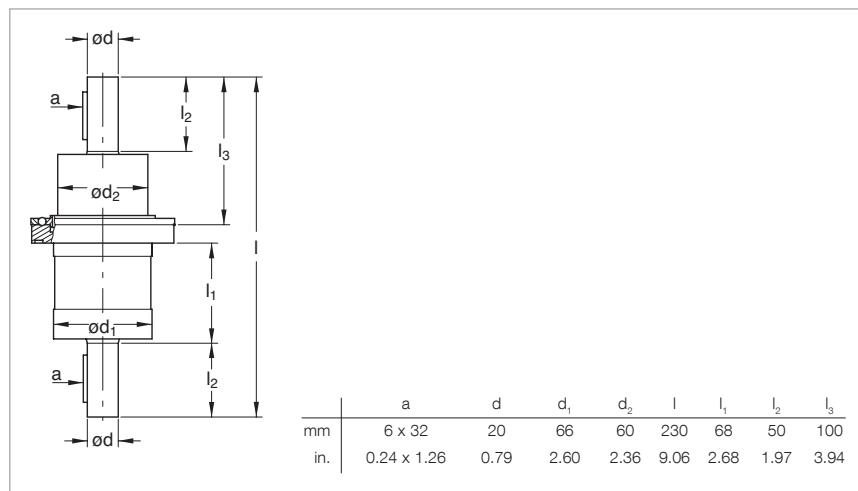
	Part No.	Part No.
Rotary feedthrough	<b>210 151</b>	<b>210 153 <sup>2)</sup></b>

<sup>1)</sup> When a reduced service life is acceptable, the rotational speed can be increased by up to a factor of two

<sup>2)</sup> Centering ring, CR/aluminum Part No. 268 05, FPM (FKM)/stainless steel Part No. 887 03



Dimensional drawing for the feedthrough FR 25/50 N



Dimensional drawing for the feedthrough FR 63/100 N

# Liquid Feedthroughs

- For H<sub>2</sub>O and LN<sub>2</sub>
- Thermally insulated
- Especially suited for very hot and very cold applications

## Technical Data

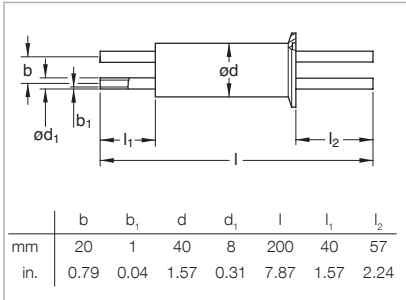
## FL 40K/2

Vacuum connection	DN	40 ISO-KF
Feedthrough / seal		welded
Connection	mm (in.)	dia. 8 x 1 (0.31 x 0.04)
Number of tubes		2
Tightness	mbar x l/s	1 x 10 <sup>-9</sup>
Pressure (absolute)		1 x 10 <sup>-9</sup> mbar to 2.5 bar (max. 10 bar with external centering ring)
Temperature range	°C (°F)	-200 to +150 (-328 to +302)
Material		Stainless steel
Weight	kg (lbs)	0.3 (0.66)

## Ordering Information

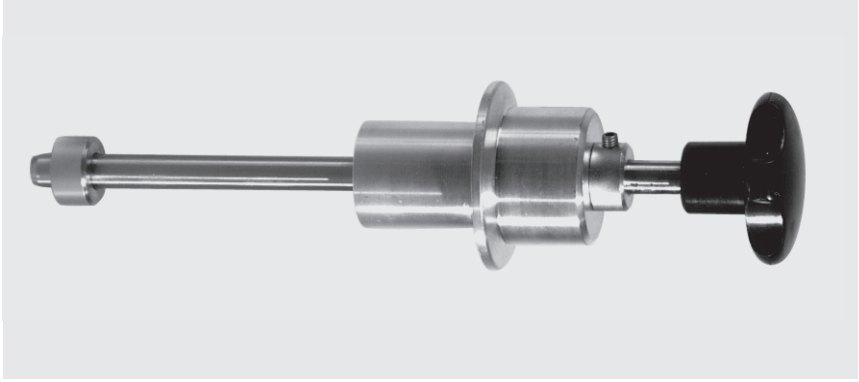
## FL 40K/2

	Part No.
Liquid feedthrough	210 275

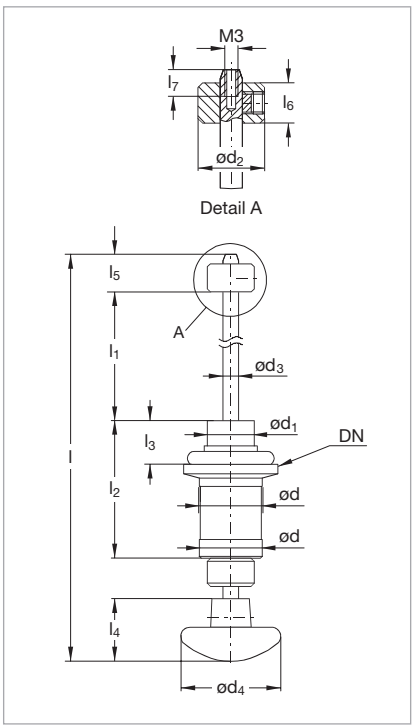


Dimensional drawing for the liquid feedthrough  
FL 40K/2

# Rotary / Linear Motion Feedthroughs



- Two FPM (FKM) shaft seals
- Direct push/pull and rotary actuation
- With locking ring



### Dimension Table

Feedthroughs	DN	d	d <sub>1</sub>	d <sub>2</sub>	d <sub>3</sub>	
FNRL 16/50	16					
	mm	20	15	15	5	
	in.	0.79	0.59	0.59	0.20	
FNRL 25/100	25					
	mm	25	23	22	8	
	in.	0.98	0.91	0.87	0.31	
		d <sub>4</sub>	l	l <sub>1</sub> max.	l <sub>2</sub>	l <sub>3</sub>
FNRL 16/50	mm	32	134	50	44	14
	in.	1.26	5.28	1.97	1.73	0.55
FNRL 25/100	mm	50	210	100	58	24
	in.	1.97	8.27	3.94	2.28	0.94
		l <sub>4</sub>	l <sub>5</sub>	l <sub>6</sub>	l <sub>7</sub>	
FNRL 16/50	mm	20	10.5	8	6	
	in.	0.79	0.41	0.31	0.24	
FNRL 25/100	mm	32	11	9	8	
	in.	1.26	0.43	0.35	0.31	

Dimensional drawing for the feedthroughs FNRL

**Technical Data****FNRL 16/50****FNRL 25/100**

Vacuum connection	DN	16 ISO-KF	25 ISO-KF
Feedthrough / seal		FPM (FKM)	
Shaft Connection	mm (in.)	M 3 x 6 / dia. 5 (M 3 x 0.24 / dia. 0.20)	M 4 x 8 / dia. 8 (M 4 x 0.31 / dia. 0.31)
Stroke	mm (in.)	50.0 (1.97)	100.0 (3.94)
Shaft load			
Radial, at max. displacement	N	10	15
Torsion	Nm	2	8
Tightness, static	mbar x l/s	1 x 10 <sup>-9</sup>	
Operating pressure range (absolute)		1 x 10 <sup>-9</sup> mbar to 1 bar	
Operating temperature, max.	°C (°F)	50 (122)	
Bakeout temperature	°C (°F)	110 (230)	
Materials exposed to process media		Stainless steel, aluminum, FPM (FKM)	
Weight	kg (lbs)	0.1 (0.22)	0.2 (0.44)

**Ordering Information****FNRL 16/50****FNRL 25/100**

	Part No.	Part No.
Rotary / linear feedthrough	<b>210 200</b>	<b>210 201</b>

# CF Feedthroughs

CF feedthroughs are available in a variety of field-proven designs, specifically:

- Linear motion mechanical feedthroughs
- Rotary motion mechanical feedthroughs

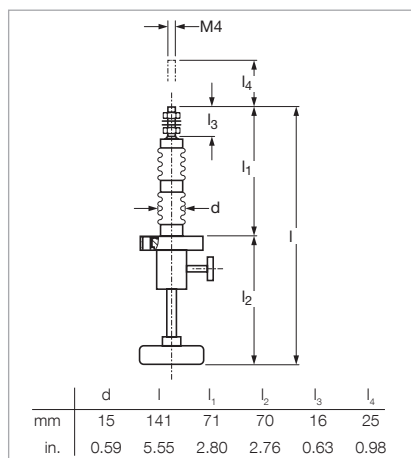
A stainless steel bellows is used to seal off the CF linear and rotary feedthroughs against the atmosphere.

All feedthroughs can be installed in the vacuum systems in any orientation.

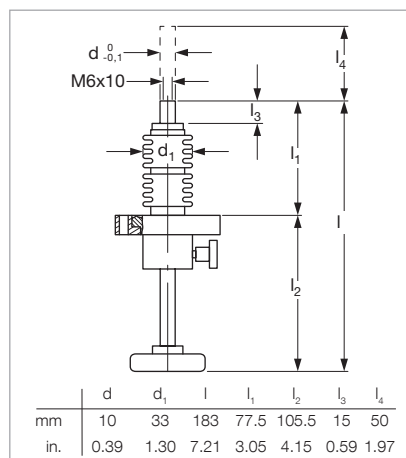
## Abbreviations used in connection with feedthroughs:

- F Feedthrough
- E Electric
- L Liquid
- N Normal
- P Precision
- F Frequency
- HC Current
- HV Voltage
- L Linear
- R Rotary

## Linear Motion Mechanical Feedthroughs



Dimensional drawing for the FNL 16/25 linear motion feedthrough



Dimensional drawing for the FNL 40/50 linear motion feedthrough

### Technical Data

### FNL 16/25

### FNL 40/50

Nominal width	DN	16 CF-R	40 CF-R
Shaft connection	mm (in.)	M 4 x 16 (M 4 x 0.63)	M 6 x 10, ∅ 10 (M 6 x 0.39, ∅ 0.39)
Feedthrough / seal		bellows	
Actuator		manually	
stroke	mm (in.)	25.0 (0.98)	50.0 (1.97)
Scale division	mm (in.)	5.0 (0.20)	10.0 (0.39)
Shaft load			
Radial at max. displacement	N	20	100
Axial, against vacuum	N	85	140
Axial, against atmosphere	N	100	200
Torsion	Nm (lbf-in)	0.2 (1.77)	0.5 (4.43)
Tightness	mbar x l/s	5 x 10 <sup>-11</sup>	
Pressure (absolute)		1 x 10 <sup>-10</sup> mbar to 2 bar	
Bakeout temperature	°C (°F)	300 (572)	
Materials exposed to process media		Stainless steel	
Weight	kg (lbs)	0.15 (0.33)	0.75 (1.66)

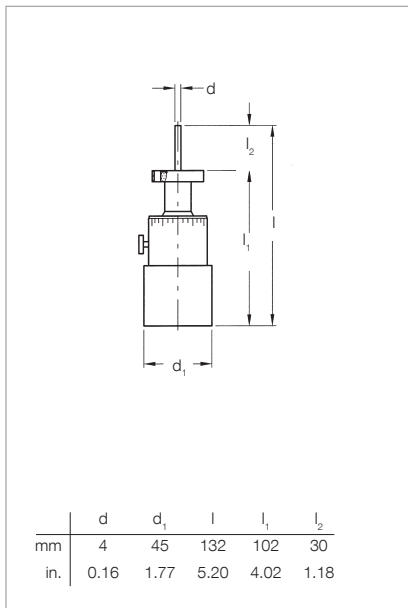
### Ordering Information

### FNL 16/25

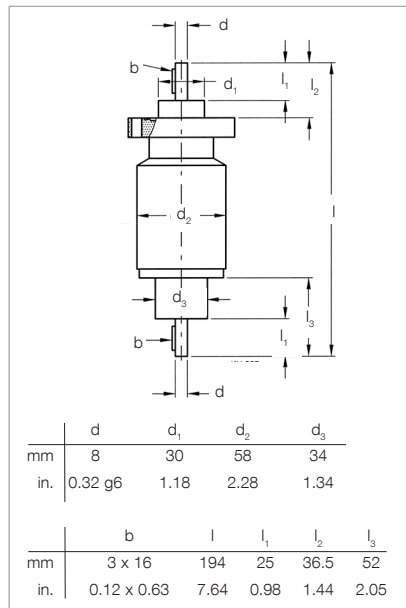
### FNL 40/50

	Part No.	Part No.
Linear motion feedthrough	210 250	210 251

# Linear Motion Mechanical Feedthroughs



Dimensional drawing for the FPR 16/5 N rotary feedthrough



Dimensional drawing for the FNR 40/20 N rotary feedthrough

The rotation of the drive knob is translated via a gearless drive system to the shaft on the vacuum side. This shaft runs on ball bearings which do not require any maintenance during the entire service life.

## Technical Data

### FPR 16/5 N

### FNR 40/20 N

Nominal width	DN	16 CF-F	40 CF-F
Shaft connection	mm (in.)	dia. 4 (0.16)	dia. 8 (0.32)
Feedthrough / seal		bellow	
Transferable torque			
Dynamic	Nm (lbf-in)	0.4 (3.54)	4.0 (35.40)
Dynamic, at 300 °C (572 °F)	Nm (lbf-in)	0.2 (1.77)	2.0 (17.70)
Static	Nm (lbf-in)	0.2 (1.77)	3.0 (26.55)
Rotational speed	rpm	200	1000
at max. torque	rpm	–	500
Scale division	mm	10°	–
Shaft load			
Radial	N	10	60
Axial	N	5	20
Tightness	mbar x l/s	5 x 10 <sup>-11</sup>	
Pressure (absolute)		1 · x 10 <sup>-10</sup> mbar to 2 bar	
Bakeout temperature	°C (°F)	300 (572)	
Materials exposed to process media		Stainless steel	
Weight	kg (lbs)	0.3 (0.66)	1.5 (3.31)

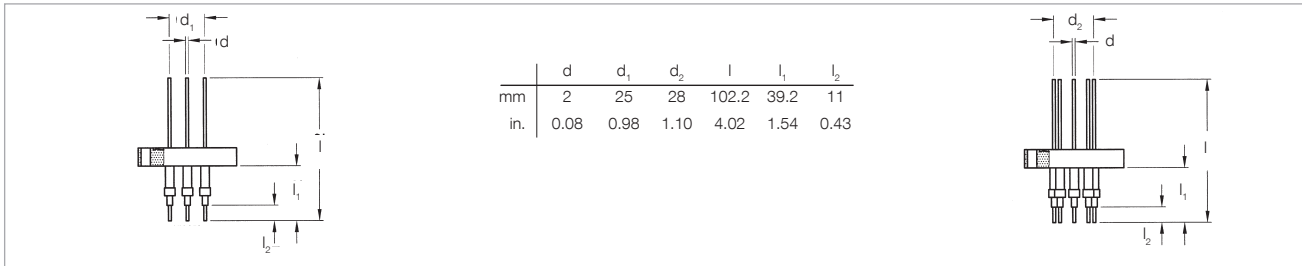
## Ordering Information

### FPR 16/5 N

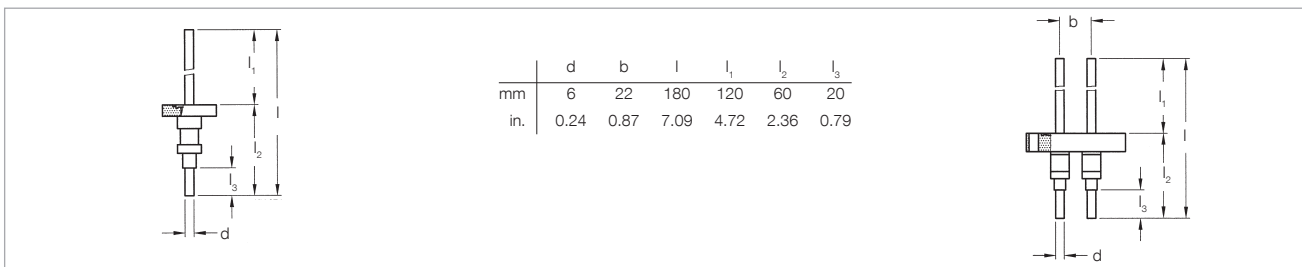
### FNR 40/20 N

	Part No.	Part No.
Rotary feedthrough	<b>210 154</b>	<b>210 155</b>

# Current Feedthroughs



Dimensional drawing for the current feedthrough FE 40/4 (left) and FE 40/9 (right)



Dimensional drawing for the current feedthrough FEHC 16/1 (left) and FEHC 40/2 (right)

## Technical Data

### FE 40/4

### FE 40/9

### FEHC 16/1

### FEHC 40/2

	DN	CF 40-F	CF 40-F	CF 16-F	CF 40-F
Nominal width	DN	CF 40-F	CF 40-F	CF 16-F	CF 40-F
Number of feedthroughs		4	9	1	2
Number of connection pieces					
vacuum side (set)		5	2 x 5	2	2
atmospheric side (set)		5	2 x 5	2	2
Voltage per pole <sup>1)</sup>	kV	1	1	4	4
Current per pole <sup>1)</sup>	A	8	8	150	150
Bakeout temperature ΔT	°C (°F)	400 (752)			
Temperature rise at max. current ΔT	°C/min	40	40	50	50
Tightness	mbar x l/s	5 x 10 <sup>-11</sup>			
Pressure (absolute)		1 x 10 <sup>-10</sup> mbar to 2 bar			
Flange		Stainless steel			
Conductor		Stainless steel	Stainless steel	Copper	Copper
Insulator		Al <sub>2</sub> O <sub>3</sub>			
Weight	kg (lbs)	0.3 (0.66)	0.4 (0.88)	0.15 (0.33)	0.45 (0.91)

## Ordering Information

### FE 40/4

### FE 40/9

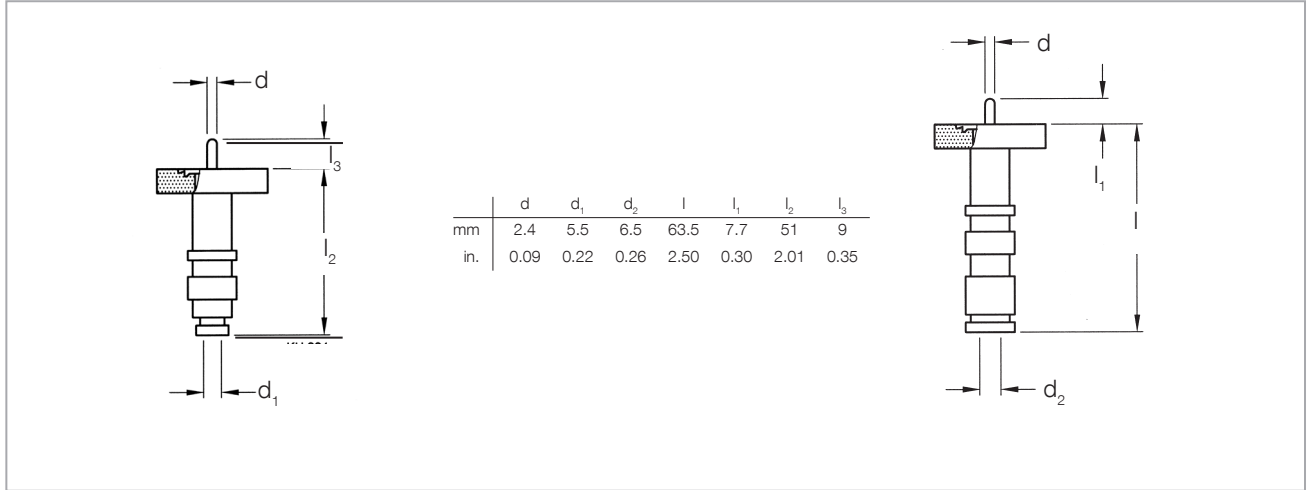
### FEHC 16/1

### FEHC 40/2

	Part No.	Part No.	Part No.	Part No.
Current feedthrough	<b>210 310</b>	<b>210 313</b>	<b>210 335</b>	<b>210 342</b>
Connection piece, vacuum side (set)	<b>210 312</b>	<b>2x 210 312</b>	<b>210 337</b>	<b>210 337</b>
Connector, atmospheric side (set)	<b>210 311</b>	<b>2x 210 311</b>	<b>210 336</b>	<b>210 336</b>

<sup>1)</sup> Local safety regulations must be met





Dimensional drawing for the current feedthrough FEF 16/1 (left) and FEHV 16/1 (right)

## Technical Data

### FEF 16/1

### FEHV 16/1

Nominal width	DN	CF 16-F	CF 16-F
Number of feedthroughs		1	1
Voltage			
AC, 50 Hz	kV	0.35	3.5
DC	kV	0.5	5.0
Current	A	3	
Frequency	MHz	150	–
Impedance	Ω	50 - 60	–
Insulation resistance at 20 °C (68 °F)	Ω	10 <sup>+10</sup>	
Bakeout temperature			
with connector	°C (°F)	50 (122)	
without connector	°C (°F)	400 (572) <sup>1)</sup>	
Tightness	mbar x l/s	1 x 10 <sup>-10</sup>	
Pressure (absolute) <sup>2)</sup>		1 x 10 <sup>-10</sup> mbar to 2,5 bar	
Housing, flange, conductor		Stainless steel	
Feedthrough, seal		Al <sub>2</sub> O <sub>3</sub>	
Weight	kg (lbs)	0.14 (0.31)	0.14 (0.31)

## Ordering Information

### FEF 16/1

### FEHV 16/1

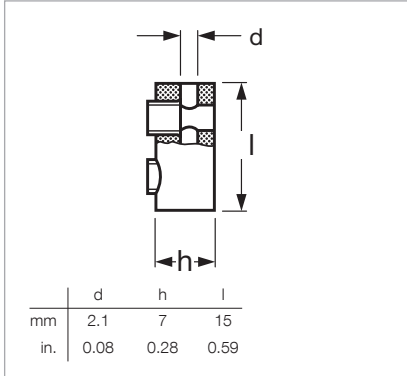
	Part No.	Part No.
Current feedthrough	<b>210 404</b>	<b>210 402</b>
Outside plug (included in delivery)	<b>BNC UG 88/U</b>	<b>MHV UG 932/U</b>
Cable	<b>RG 58/U</b>	<b>RG 59/U</b>

<sup>1)</sup> With elastomer seal up to 150 °C (302 °F)

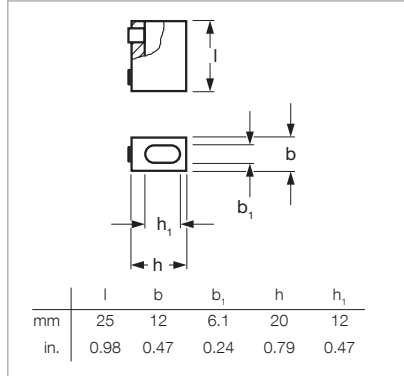
<sup>2)</sup> Pressure at 400 °C (572 °F) reduced to 2 bar

# Accessories for Feedthroughs

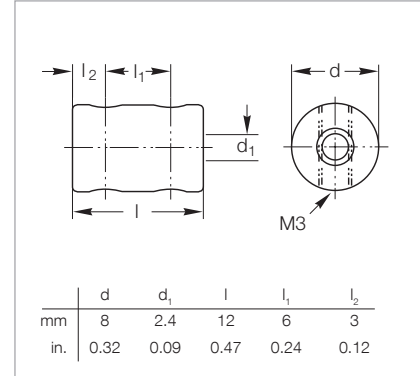
## Connectors, vacuum side



Dimensional drawing for the connector used on FE 40/4 / FE 40/9



Dimensional drawing for the connector used on FE 16/1, FEHC 40/2 and FEHC 16/1



Dimensional drawing for the connector used on FEHV 16/1, FEHV 40/3 and FEF 16/1

### Technical Data

### Connectors Vacuum Side

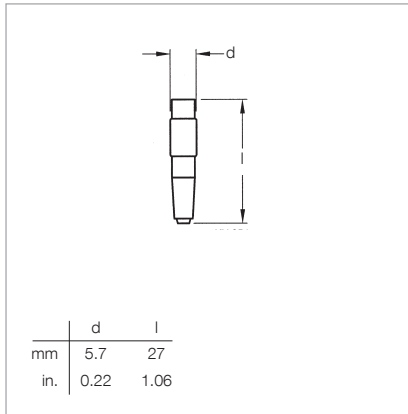
Connector for feedthrough		FE 40/4 / FE 40/9	FEHC 40/2 / FEHC 16/1	FEHV 16/1 / FEHV 40/3 FEF 16/1
Current max.	A	12	90	3
Bakeout temperature	°C (°F)	400 (752)	400 (752)	350 (662)
Material		Stainless steel	Stainless steel	Copper

### Ordering Information

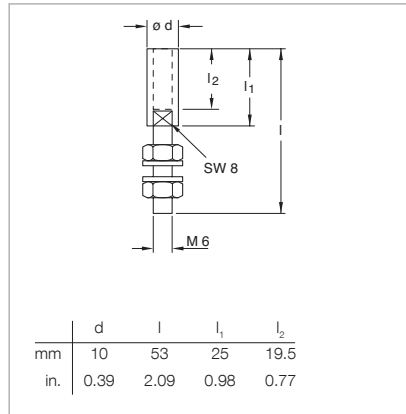
### Connectors Vacuum Side

	Part No.	Part No.	
Connector: vacuum side	-	-	<b>846 47</b>
Connector: vacuum side (Set of 5)	<b>210 312</b>	-	-
Connector: vacuum side (Set of 5)	-	<b>210 337</b>	-

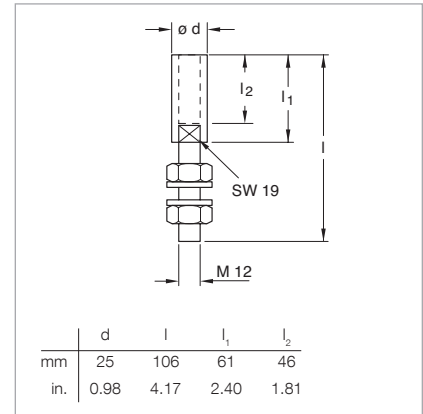
# Connectors, atmospheric side



Dimensional drawing for the outside plug used on FE 40 /4 and FE 40/9



Dimensional drawing for the outside plug used on FE 16/1, FEHC 40/2 and FEHC 16/1



Dimensional drawing for the outside plug used on FEHC 40/1

## Technical Data

## Connectors Atmospheric Side

Connector for feedthrough		FE 40/4 / FE 40/9	FEHC 40/2 / FEHC 16/1	FEHC 40/1
Current max.	<b>A</b>	12	90	250
Not insulated, for use up to	<b>V</b>	50		
Bakeout temperature	<b>°C (°F)</b>	50 (122)	150 (302)	150 (302)
Material		gold-plated brass	silver-plated brass	silver-plated brass

## Ordering Information

## Connectors Atmospheric Side

	Part No.	Part No.	
Connector, atmospheric side	-	-	<b>210 339</b>
Connector, atmospheric side (Set of 5)	<b>210 3112</b>	-	-
Connector, atmospheric side (Set of 2 )	-	<b>210 336</b>	-









# Sales and Service

## Germany

**Leybold GmbH**  
Bonner Strasse 498  
D-50968 Cologne  
T: +49-(0)221-347 1234  
F: +49-(0)221-347 31234  
sales@leybold.com  
www.leybold.com

**Leybold GmbH  
Sales Area North**  
Branch Office Berlin  
Industriestrasse 10b  
D-12099 Berlin  
T: +49-(0)30-435 609 0  
F: +49-(0)30-435 609 10  
sales.bn@leybold.com

**Leybold GmbH  
Sales Office South**  
Branch Office Munich  
Karl-Hammerschmidt-Strasse 34  
D-85609 Aschheim-Dornach  
T: +49-(0)89-357 33 9-10  
F: +49-(0)89-357 33 9-33  
sales.mn@leybold.com  
service.mn@leybold.com

**Leybold Dresden GmbH  
Service Competence Center**  
Zur Wetterwarte 50, Haus 304  
D-01109 Dresden  
Service:  
T: +49-(0)351-88 55 00  
F: +49-(0)351-88 55 041  
info.dr@leybold.com

## Europe

### Belgium

**Leybold Nederland B.V.  
Belgisch bijkantoor**  
Leuvensesteenweg 542  
B-1930 Zaventem  
Sales:  
T: +32-2-711 00 83  
F: +32-2-720 83 38  
sales.zv@leybold.com  
Service:  
T: +32-2-711 00 82  
F: +32-2-720 83 38  
service.zv@leybold.com

### France

**Leybold France S.A.S.**  
Parc du Technopolis, Bâtiment Beta  
3, Avenue du Canada  
F-91940 Les Ulis cedex  
Sales and Service:  
T: +33-1-69 82 48 00  
F: +33-1-69 07 57 38  
sales.or@leybold.com  
orsay.sav@leybold.com

**Leybold France S.A.S.**  
Valence Factory  
640, Rue A. Bergès  
B.P. 107  
F-26501 Bourg-lès-Valence Cedex  
T: +33-4-75 82 33 00  
F: +33-4-75 82 92 69  
marketing.vc@leybold.com

## Great Britain

**Leybold UK LTD.**  
Unit 9  
Silverglade Business Park  
Leatherhead Road  
Chessington  
Surrey (London)  
KT9 2QL  
Sales:  
T: +44-13-7273 7300  
F: +44-13-7273 7301  
sales.ln@leybold.com  
Service:  
T: +44-13-7273 7320  
F: +44-13-7273 7303  
service.ln@leybold.com

## Italy

**Leybold Italia S.r.l.**  
Via Filippo Brunelleschi 2  
I-20093 Cologno Monzese  
Sales:  
T: +39-02-27 22 31  
F: +39-02-27 20 96 41  
sales.mi@leybold.com  
Service:  
T: +39-02-27 22 31  
F: +39-02-27 22 32 17  
service.mi@leybold.com

## Netherlands

**Leybold Nederland B.V.**  
Floridadreef 102  
NL-3565 AM Utrecht  
Sales and Service:  
T: +31-(30) 242 63 30  
F: +31-(30) 242 63 31  
sales.ut@leybold.com  
service.ut@leybold.com

## Russia

**Leybold Russia**  
Vashutinskoe Road 15,  
Khimki, Moscow region,  
141402  
Russia  
T: +7 495 933 55 50  
LeyboldRussia@leybold.com

## Switzerland

**Leybold Schweiz AG**  
Hinterbergstrasse 56  
CH-6312 Steinhausen  
Warehouse and shipping address:  
Riedthofstrasse 214  
CH-8105 Regensdorf  
Sales:  
T: +41-44-308 40 50  
F: +41-44-308 40 60  
sales.zh@leybold.com  
Service:  
T: +41-44-308 40 62  
F: +41-44-308 40 60  
service.zh@leybold.com

## Spain

**Leybold Hispánica, S.A.**  
C/. Huelva, 7  
E-08940 Cornellá de Llobregat  
(Barcelona)  
Sales:  
T: +34-93-666 43 11  
F: +34-93-666 43 70  
sales.ba@leybold.com  
Service:  
T: +34-93-666 46 11  
F: +34-93-685 43 70  
service.ba@leybold.com

## Leybold GmbH

Bonner Strasse 498  
D-50968 Cologne  
T: +49-(0)221-347-0  
F: +49-(0)221-347-1250  
info@leybold.com

## America

### USA

**Leybold USA Inc.**  
6005 Enterprise Drive  
Export, PA 15632  
USA  
Sales and Service:  
T: +1-800-764-5369  
F: +1-800-325-4353  
F: +1-800-215-7782  
sales.ex@leybold.com  
service.ex@leybold.com

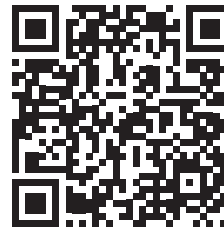
### Brazil

**Leybold do Brasil Ltda.**  
Av. Tamboré, 937, Tamboré  
Distrito Industrial  
CEP 06460-000 Barueri - SP  
Sales und Service:  
T: +55 11 3376 4604  
info.ju@leybold.com

## Asia

### P. R. China

**Leybold (Tianjin)  
International Trade Co. Ltd.**  
Beichen Economic  
Development Area (BEDA),  
No. 8 Western Shuangchen Road  
Tianjin 300400  
China  
Sales and Service:  
T: +86-400 038 8989  
T: +86-800 818 0033  
F: +86-22-2697 4061  
F: +86-22-2697 2017  
sales.tj@leybold.com  
service.tj@leybold.com



### India

**Leybold India Pvt Ltd.**  
T-97/2, MIDC Bhosari  
Pune-411 026  
Indien  
Sales and Service:  
T: +91-80-2783 9925  
F: +91-80-2783 9926  
sales.bgl@leybold.com  
service.bgl@leybold.com

### Japan

**Leybold Japan Co., Ltd.**  
Shin-Yokohama A.K.Bldg., 4th floor  
3-23-3, Shin-Yokohama  
Kohoku-ku, Yokohama-shi  
Kanagawa-ken 222-0033  
Japan  
Sales:  
T: +81-45-471-3330  
F: +81-45-471-3323  
sales.yh@leybold.com

## Malaysia

**Leybold Malaysia  
Leybold Singapore Pte Ltd.**  
No. 1 Jalan Hi-Tech 2/6  
Kulim Hi-Tech Park  
Kulim, Kedah Darul  
Aman 09090  
Malaysia  
Sales and Service:  
T: +604 4020 222  
F: +604 4020 221  
sales.ku@leybold.com  
service.ku@leybold.com

## South Korea

**Leybold Korea Ltd.**  
25, Hwangsaeul-ro 258 beon-gil,  
undang-gu, Seongnam-si,  
Gyeonggi-do,  
(7F Sunae Finance Tower)  
13595 Bundang  
Sales:  
T: +82-31 785 1367  
F: +82-31 785 1359  
sales.bd@leybold.com  
Service:  
T: +82-41 589 3035  
F: +82-41 588 0166  
service.cn@leybold.com

## Singapore

**Leybold Singapore Pte Ltd.**  
42 Loyang Drive  
Loyang Industrial Estate  
Singapore 508962  
Singapore  
Sales and Service:  
T: +65-6303 7030  
F: +65-6773 0039  
info.sg@leybold.com

## Taiwan

**Leybold Taiwan Ltd.**  
10F., No. 32, Chenggong 12th St.,  
Zhubei City, Hsinchu County 302  
Taiwan, R.O.C.  
Sales and Service:  
T: +886-3-500 1688  
F: +886-3-550 6523  
info.hc@leybold.com

